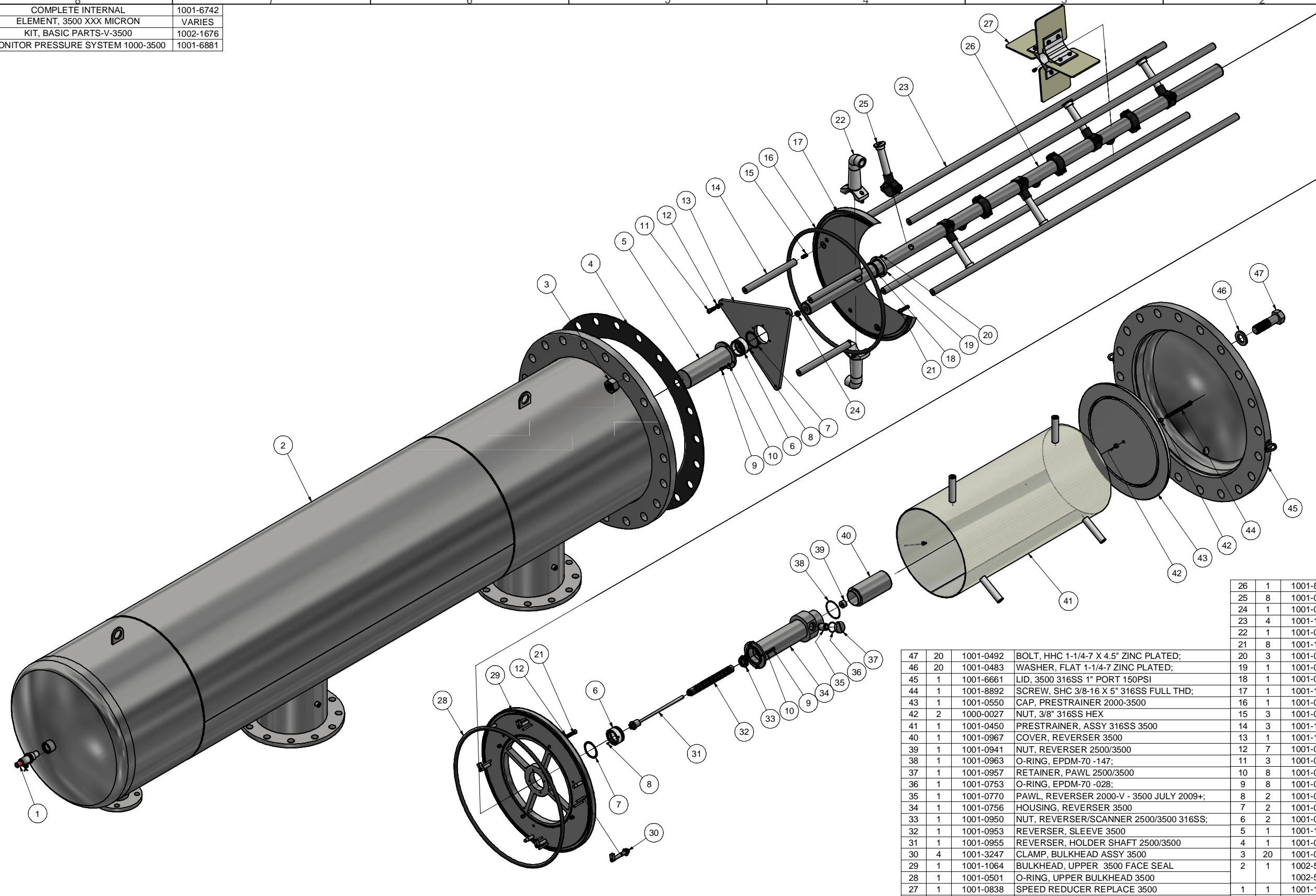


8	COMPLETE INTERNAL	1001-6742
7	ELEMENT, 3500 XXX MICRON	VARIABLES
6	KIT, BASIC PARTS-V-3500	1002-1676
5	MONITOR PRESSURE SYSTEM 1000-3500	1001-6881



26	1	1001-8476	TUBE, DIRT COLLECTOR 3500 W/MAGNET
25	8	1001-0869	KIT, VAC NOZ REPLACE 2500-3500
24	1	1001-0719	KIT MAGNET ROTOR 250-3500 W/ADHESIVE
23	4	1001-1078	BAR, TIE 316SS 3500
22	1	1001-0741	MOTOR, WATER ASSY 2500/3500
21	8	1001-1079	SCREW, SHC 3/8-16 X 1.5" 316SS;
20	3	1001-0053	SCREW, FHSC 8-32 X .5" 316 SS
19	1	1001-0520	RETAINER, SEAL WASHER 2500/3500
18	1	1001-0519	SEAL, WASHER ACETAL 2500/3500
17	1	1001-1039	BULKHEAD, LOWER 316SS 3500 MACHINED
16	1	1001-0500	O-RING, LOWER BULKHEAD 3500
15	3	1001-0984	SCREW, SET CUPPOINT 3/8-16 X 1.25";
14	3	1001-1003	SPACER, STAND OFF 316SS 3500 MACHINED;
13	1	1001-1000	PLATE, MOUNT 316SS 3500 MACHINED;
12	7	1001-0746	WASHER, SPLIT LOCK LOCK 3/8IN 316SS
11	3	1001-0987	SCREW, SHC 3/8-16 X 1";
10	8	1001-0744	WASHER, LOCK 1/4 MED SPLIT;
9	8	1001-0743	SCREW, SHC 1/4-20 X 7/8 316SS;
8	2	1001-0929	PIN, DOWEL 316SS 1/8" DIA X .25";
7	2	1001-0935	RING, RETAINING 2.648 OD 316 SS
6	2	1001-0940	BUSHING, ASSY 2500/3500
5	1	1001-1253	CYLINDER, 316SS 3500
4	1	1001-0511	GASKET, TANK SEAL GREEN 3500;
3	20	1001-0491	NUT, HEX 1-1/4-7, 94895A859
2	1	1002-5254	FILTER, V-3500-10 NO ELEMENT TANK ONLY
1	1	1002-5255	FILTER, V-3500-14 NO ELEMENT TANK ONLY
	1	1001-1242	SENSOR, WETTED BWASH ASSY

47	20	1001-0492	BOLT, HHC 1-1/4-7 X 4.5" ZINC PLATED;
46	20	1001-0483	WASHER, FLAT 1-1/4-7 ZINC PLATED;
45	1	1001-6661	LID, 3500 316SS 1" PORT 150PSI
44	1	1001-8892	SCREW, SHC 3/8-16 X 5" 316SS FULL THD;
43	1	1001-0550	CAP, PRESTRAINER 2000-3500
42	2	1000-0027	NUT, 3/8" 316SS HEX
41	1	1001-0450	PRESTRAINER, ASSY 316SS 3500
40	1	1001-0967	COVER, REVERSER 3500
39	1	1001-0941	NUT, REVERSER 2500/3500
38	1	1001-0963	O-RING, EPDM-70 -147;
37	1	1001-0957	RETAINER, PAWL 2500/3500
36	1	1001-0753	O-RING, EPDM-70 -028;
35	1	1001-0770	PAWL, REVERSER 2000-V - 3500 JULY 2009+;
34	1	1001-0756	HOUSING, REVERSER 3500
33	1	1001-0950	NUT, REVERSER/SCANNER 2500/3500 316SS;
32	1	1001-0953	REVERSER, SLEEVE 3500
31	1	1001-0955	REVERSER, HOLDER SHAFT 2500/3500
30	4	1001-3247	CLAMP, BULKHEAD ASSY 3500
29	1	1001-1064	BULKHEAD, UPPER 3500 FACE SEAL
28	1	1001-0501	O-RING, UPPER BULKHEAD 3500
27	1	1001-0838	SPEED REDUCER REPLACE 3500

FOR SCREEN OPTIONS, CONTACT VAF				ITEM		QTY	PART NUMBER	DESCRIPTION	ITEM		QTY	PART NUMBER	DESCRIPTION	
				1		REDRAWN	2021-12-13	RVR	JPB	JPB	---			
				DESIGNER		DATE	TITLE		V-3500 EXPLODED VIEW					
				CHECKER		DATE	CLIENT							
				ENGINEER		DATE	SCALE:		NONE					
				MANAGER		DATE	PROJECT							
				FILE:		PART NUMBER		DRAWING		SHEET		REV		
				1		REDRAWN	2021-12-13	RVR	JPB	JPB	---	1	OF 1	1

THIRD ANGLE PROJECTION

ALL WELD SYMBOL DIMENSIONS ARE MINIMUM. DIMENSIONS IN [mm] ARE MILLIMETERS. DO NOT SCALE DRAWING

DRAWN PER ASME Y14.5M UNLESS OTHERWISE SPECIFIED ALL DIMENSIONS ARE INCHES AND TOLERANCES TO BE AS FOLLOWS.

FABRICATION	MACHINE
.XX +/- .06	.XX +/- .03
[X +/- 2]	.XXX +/- .005
< +/- 2	[X +/- 1]
	[.X +/- .1]
	< +/- 1

STD: 2-0200-22X34D BAR= 1" AT PLOT SCALE

COMPANY CONFIDENTIAL INFORMATION THIS DOCUMENT AND ALL INFORMATION CONTAINED HEREIN, INCLUDING THE DESIGN CONCEPTS AND THOSE ARISING THEREFROM ARE THE PROPERTY OF VAF SCREEN FILTERS AND/OR ITS AFFILIATES AND ARE SUBMITTED IN CONFIDENCE. THEY MAY BE USED ONLY FOR THE EXPRESS PURPOSE FOR WHICH THEY ARE PROVIDED AND MUST NOT BE DISCLOSED, REPRODUCED OR COPIED IN ANY FORM, INCLUDING IN ELECTRONIC FORMAT, LOANED OR USED IN ANY OTHER MANNER WITHOUT THE EXPRESS WRITTEN CONSENT OF VAF SCREEN FILTERS. ALL PATENT RIGHTS ARE RESERVED. THIS DOCUMENT AND DERIVATIVE WORKS THEREOF ARE PROTECTED UNDER APPLICABLE COPYRIGHT LAWS. UPON DEMAND OF VAF SCREEN FILTERS, THIS DOCUMENT, ALONG WITH ALL COPIES AND EXTRACTS, AND ALL RELATED NOTES AND ANALYSES MUST BE RETURNED TO VAF SCREEN FILTERS OR DESTROYED, AS INSTRUCTED BY VAF SCREEN FILTERS. ACCEPTANCE OF THE DELIVERY OF THIS DOCUMENT CONSTITUTES AGREEMENT TO THESE TERMS.

DESIGNER: IAF DATE: 2020-03-26
 CHECKER: JPB DATE: 2020-03-26
 ENGINEER: JPB DATE: 2020-03-26
 MANAGER: JPB DATE: 2020-03-26

VAF Screen Filters
 5640 Logistics Dr #100, Alpharetta, GA 30004
 Phone: 470-222-2890
 Email: solutions@fishbrands.com