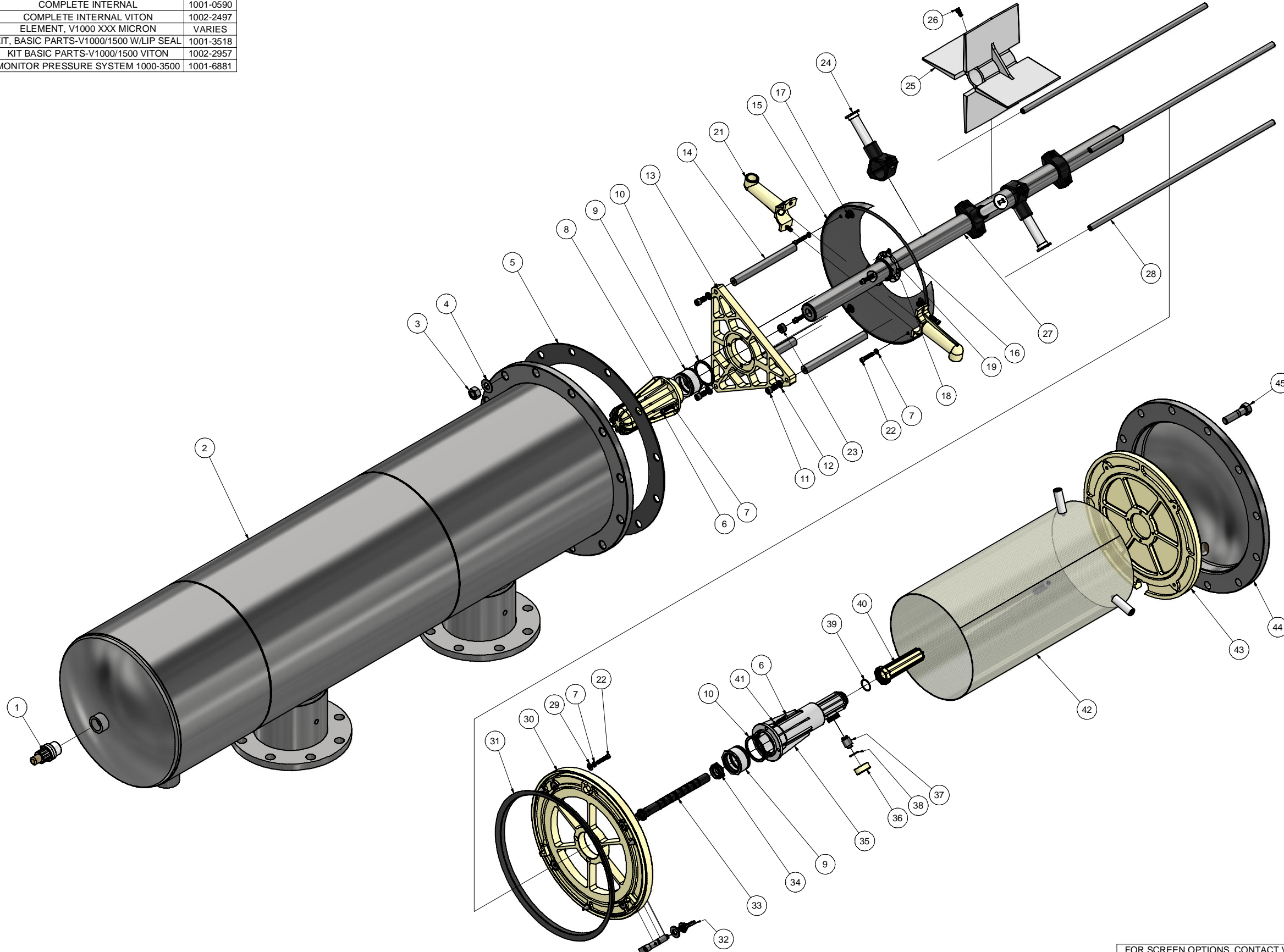


COMPLETE INTERNAL	1001-0590
COMPLETE INTERNAL VITON	1002-2497
ELEMENT, V1000 XXX MICRON	VARIABLES
KIT, BASIC PARTS-V1000/1500 W/LIP SEAL	1001-3518
KIT BASIC PARTS-V1000/1500 VITON	1002-2957
MONITOR PRESSURE SYSTEM 1000-3500	1001-6881



45	12	1001-0468	BOLT, LID 5/8-11X2-1/2 ZINC PLATED;
44	1	1001-0406	LID, 1000/1500 316SS 1 IN PORT 150PSI
		1002-2113	LID, 1000/1500 316SS DUAL I IN PORT
43	1	1001-0547	CAP, PRESTRAINER 1000/1500 NYL GF;
42	1	1001-0438	PRESTRAINER, ASSY 316SS 1000/1500;
41	4	1001-0521	WASHER, SPRING LOCK 1/4IN;
40	1	1001-0962	COVER, REVERSER 1000-2000
39	1	1001-0961	O-RING, EPDM-70 -022
		1000-1188	O-RING, REVERSER COVER VITON
38	1	1001-0752	O-RING, EPDM-70 -018
		1000-1187	O-RING, PAWL RETAINER VITON;
37	1	1001-0764	PAWL, REVERSER 250-2000
36	1	1001-0956	CAP, PAWL RETAINER 250-2000 0915
35	1	1002-4161	HOUSING, REVERSER 1000-2000 NO INSERT;
34	1	1001-0920	NUT, REVERSER/SCANNER 1000-2000 316SS
33	1	1002-1258	REVERSER, SHAFT 1000-2000 0620;
32	3	1001-0532	CLAMP, BULKHD ASSY 316SS 1000/1500
31	1	1000-0800	SEAL, LIP UPPER BLKHD 1000/1500 EPDM
		1001-7584	SEAL, LIP UPPER BLKHD 1000/1500 VITON
30	1	1000-1109	BULKHEAD, UPPER LIPSEAL 1000/1500 MACH;
29	4	1001-0064	WASHER, 316SS 9/32 ID X 5/8OD;
28	4	1001-1070	BAR, TIE 316SS 1000
27	1	1001-7351	TUBE, DIRT COLLECTOR 1000 W/MAGNET
26	1	1001-0863	SCREW, SHC 1/4-20 X 1/2IN 316SS
25	1	1001-0796	SPEED REDUCER, 1000-2000 2000-V
24	4	1001-0859	KIT, VZC NOZZLE REPLACE 1000/1500
23	1	1001-6440	KIT, MAGNET ROTOR 250-2500 W/ADHESIVE
22	8	1001-1068	SCREW, SHC 1/4-20 X 1-1/4IN 316SS;
21	1	1001-0719	KIT, WATER MOTOR ASSY 1000
20	3	1001-0053	SCREW, FHSC 8-32 X .5" 316 SS
19	1	1001-0051	RETAINER, SEAL WASHER 250-2000 2000-V;
18	1	1001-0049	SEAL, WASHER 1000-2000 2000-V
17	3	1001-0984	SCREW, SET CUPPOINT 3/8-16 X 1.25";
16	1	1001-0495	O-RING, EPDM-70 -382;
		1000-1186	O-RING, FACE BULKHEAD VITON 1000/1500
15	1	1001-1023	BULKHEAD, LOWER 316SS 1000/1500 MACH;
14	3	1001-0979	SPACER, STAND OFF 316SS 1000-2000
13	1	1001-0973	PLATE, MOUNT PLASTIC 1000-2000 MACHINED
12	3	1001-0746	WASHER, SPLIT LOCK LOCK 3/8IN 316SS
11	3	1001-0982	SCREW, SHC 3/8-16 X 3/4 316SS;
10	2	1001-0914	RING, RETAINING 2.473 OD 316 SS
9	2	1001-0933	BUSHING, ASSY 1000-2000 2000-V;
8	1	1001-1247	CYLINDER, MACHINED 1000-2000 2000-V
7	8	1001-0744	WASHER, LOCK 1/4 MED SPLIT;
6	8	1001-0743	SCREW, SHC 1/4-20 X 7/8 316SS;
5	1	1001-0507	GASKET, TANK SEAL GREEN 1000/1500
4	12	1001-0476	WASHER, FLAT 5/8IN SAE 1-5/16 OD ZINC PLT
3	12	1001-0484	NUT, HEX 5/8-11 ZINC PLATED
2	1	1002-3438	REPLACEMENT TANK 1000-06-F
		1002-2790	REPLACEMENT TANK 1000-08-F
1	1	1001-1240	SENSOR, ASSY 250-2500 STD

THIRD ANGLE PROJECTION

ALL WELD SYMBOL DIMENSIONS ARE MINIMUM. DIMENSIONS IN [mm] ARE MILLIMETERS. DO NOT SCALE DRAWING

DRAWN PER ASME Y14.5M UNLESS OTHERWISE SPECIFIED ALL DIMENSIONS ARE INCHES AND TOLERANCES TO BE AS FOLLOWS.

FABRICATION	MACHINE
.XX +/- .06	.XX +/- .03
[X +/- 2]	[X +/- 1]
< +/- 2	[X +/- .1]
	< +/- 1

REV	DESCRIPTION	DATE	DWN	CHKD	APVD	ECN
5	ITEM 35 P/N UPDATED	2023-05-12	RVR	JPB	JPB	---
4	REDRAWN	2021-11-11	RVR	JPB	JPB	---

COMPANY CONFIDENTIAL
 DOCUMENT AND ALL INFORMATION CONTAINED HEREIN ARE THE PROPERTY OF EVOQUA AND/OR ITS AFFILIATES. THE DESIGN CONCEPTS AND INFORMATION CONTAINED HEREIN ARE PROPRIETARY TO EVOQUA AND ARE SUBMITTED IN CONFIDENCE. THEY ARE NOT TRANSFERABLE AND MUST BE USED ONLY FOR THE PURPOSE FOR WHICH THE DOCUMENT IS EXPRESSLY LOANED. THEY MUST NOT BE DISCLOSED, REPRODUCED, LOANED OR USED IN ANY OTHER MANNER WITHOUT THE EXPRESS WRITTEN CONSENT OF EVOQUA. IN NO EVENT SHALL THEY BE USED IN ANY MANNER DETRIMENTAL TO THE INTEREST OF EVOQUA. ALL PATENT RIGHTS ARE RESERVED. UPON THE DEMAND OF EVOQUA, THIS DOCUMENT, ALONG WITH ALL COPIES AND EXTRACTS, AND ALL RELATED NOTES AND ANALYSES, MUST BE RETURNED TO EVOQUA OR DESTROYED, AS INSTRUCTED BY EVOQUA. ACCEPTANCE OF THE DELIVERY OF THIS DOCUMENT CONSTITUTES AGREEMENT TO THESE TERMS.

FOR SCREEN OPTIONS, CONTACT VAF

DESIGNER	DATE
GNR	2021-02-09
CHECKER	DATE
JPB	2021-02-09
ENGINEER	DATE
JPB	2021-02-09
MANAGER	DATE
JPB	2021-02-09

SCALE: NONE

TITLE: 1000-XX EXPLODED VIEW

CLIENT

VAF Screen Filters
 5640 Logistics Dr #100, Alpharetta, GA 30004
 Phone: 470-222-2890 | Email: solutions@fisbrands.com

PROJECT	PART NUMBER	DRAWING	SHEET	REV
		1000-XX EV	1 OF 1	5