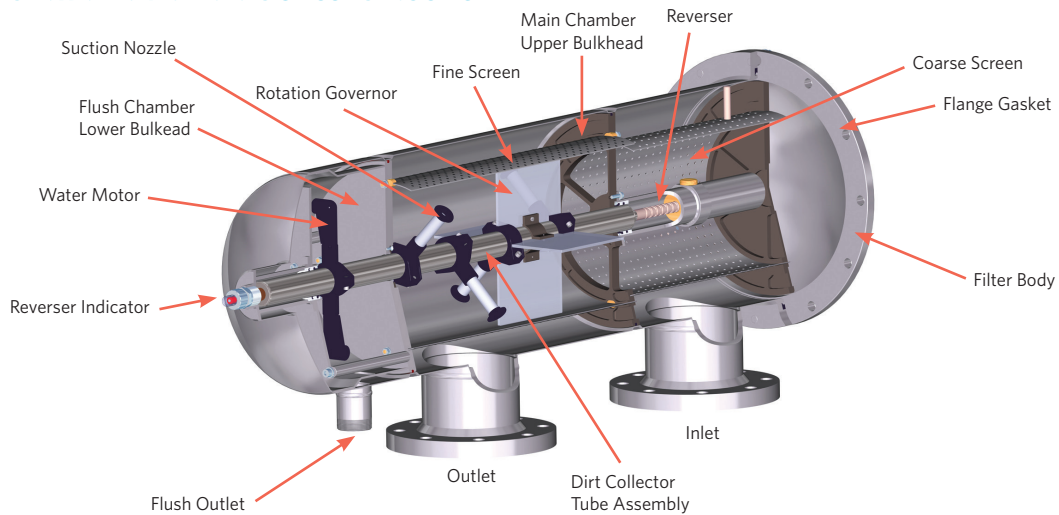


# VAF™ FILTRATION SYSTEMS

## V-SERIES™ SEAWATER MATERIALS OF CONSTRUCTION



### MATERIALS OF CONSTRUCTION

DESCRIPTION	MATERIAL
<b>Filter Body</b>	2205/Duplex Stainless Steel
<b>Coarse Screen</b>	2205/Duplex Stainless Steel
<b>Fine Screen</b>	Consult Evoqua for Options
<b>Inlet/Outlet</b>	2205/Duplex Stainless Steel
<b>Flush Outlet</b>	2205/Duplex Stainless Steel
<b>Flush Chamber Lower Bulkhead</b>	2205 / Duplex Stainless Steel
<b>Main Chamber Upper Bulkhead</b>	Glass Reinforced Acetal
<b>Dirt Collector Tube Assembly</b>	2205/Duplex Stainless Steel
<b>Suction Nozzles</b>	CPVC
<b>Water Motor</b>	Glass Reinforced Nylon
<b>Reverser</b>	Acetal
<b>Rotation Governor</b>	Glass Reinforced Nylon and Acetal
<b>Reverser Indicator</b>	Glass Reinforced Nylon Nut and Acetal Dome
<b>Flange Gasket</b>	Nitrile
<b>O-Rings</b>	EPDM
<b>Seals</b>	EPDM
<b>Hardware</b>	Titanium and Monel