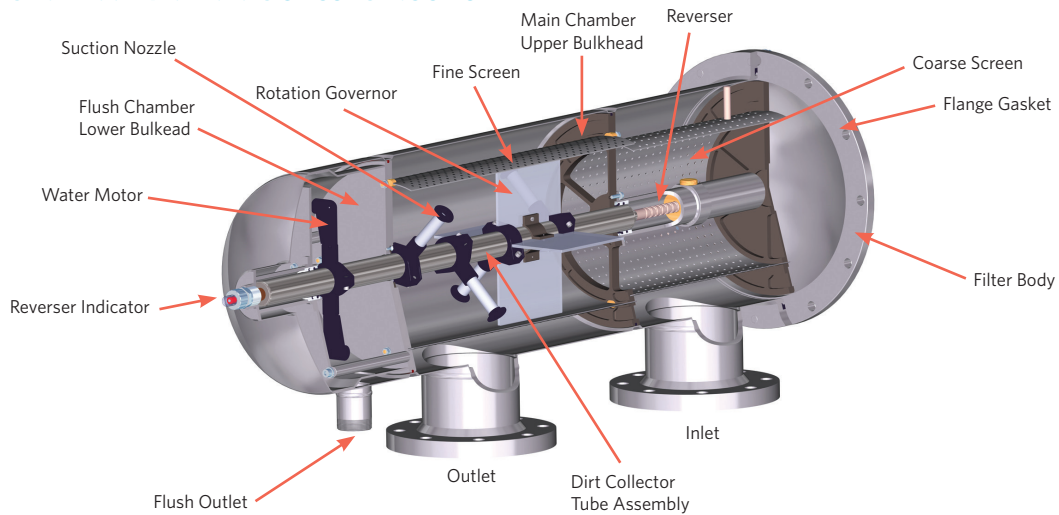


VAF™ FILTRATION SYSTEMS

V-SERIES™ STANDARD MATERIALS OF CONSTRUCTION



MATERIALS OF CONSTRUCTION

DESCRIPTION	MATERIAL
Filter Body	316L Stainless Steel
Coarse Screen	316L Stainless Steel (Perforated)
Fine Screen	316L Stainless Steel (Weave-Wire)
Inlet/Outlet	316 Stainless Steel
Flush Outlet	316 Stainless Steel
Flush Chamber Lower Bulkhead	316 Stainless Steel
Main Chamber Upper Bulkhead	Glass Reinforced Acetal
Dirt Collector Tube Assembly	316L Stainless Steel
Suction Nozzles	CPVC
Water Motor	Glass Reinforced Nylon
Reverser	Acetal
Rotation Governor	Glass Reinforced Nylon and Acetal
Reverser Indicator	Glass Reinforced Nylon Nut and Acetal Dome
Flange Gasket	Nitrile
O-Rings	EPDM
Seals	EPDM